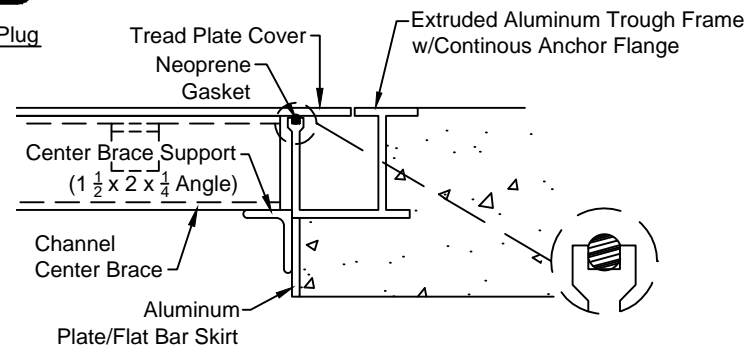
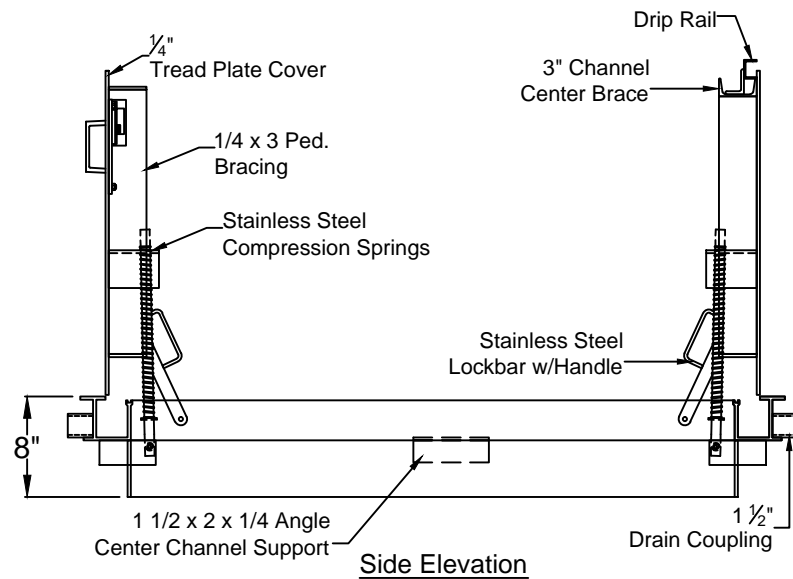


Plastic Debris Plug



Note:  
 1. Extruded Trough Frame  
 2. Pedestrian Traffic Loading Only (300 psf.) Not for Direct or Parkway Traffic  
 3. Spring Assist  
 4. (316) SS Hardware & Hinges

**Aluminum Double Leaf H20 Access Hatch**  
 DPT3048AL 30 x 48 I.D. (8" Frame Height)  
**K&B Steel (Formerly Access Products, Inc.)**  
 E-Mail: [kbsteel@vdlornet.com](mailto:kbsteel@vdlornet.com)  
 525 Industrial Blvd. Clarksville, Texas 75426  
 Phone: (903) 427-3980 FAX: (903) 427-5817

